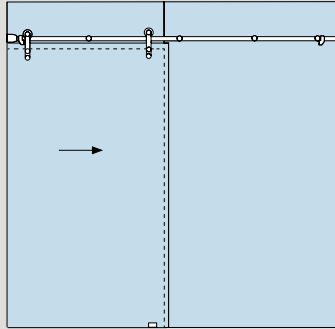


Set 5.1/5.2

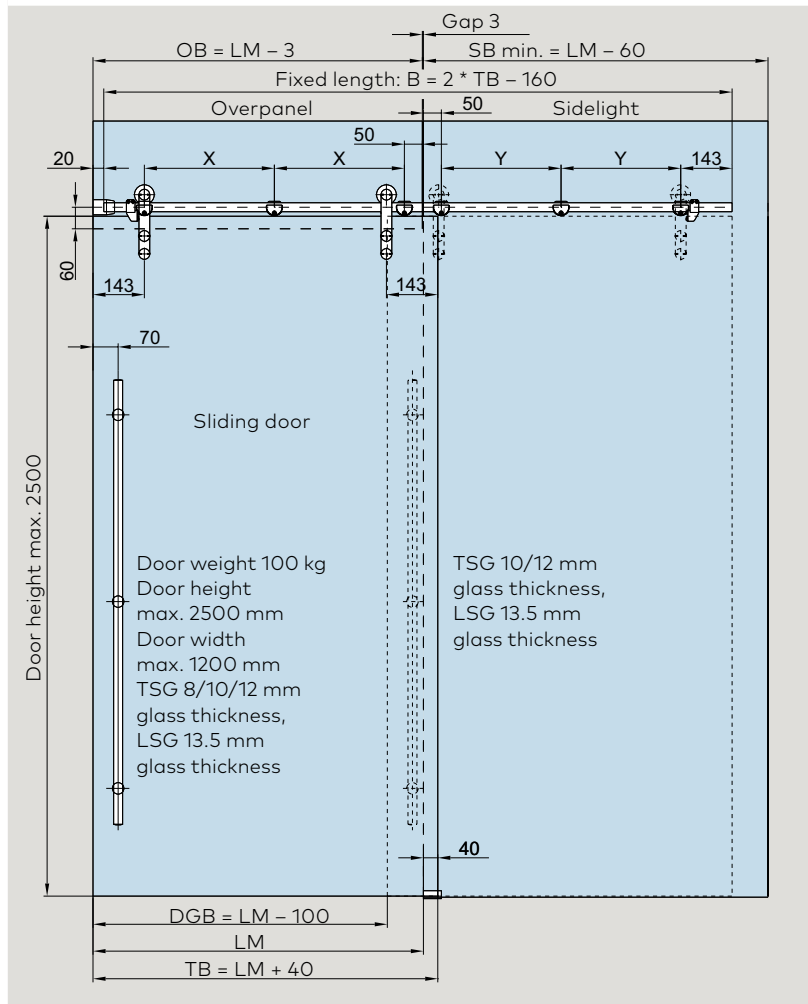
Sliding door MANET for installation at glass, one side attached to masonry



**for sliding door 8 – 13.5 mm glass,
fixed element 10 – 13.5 mm glass**

**Set 5.1
with countersunk single-point fixings**

**Set 5.2
with clamping disc single-point fixings**

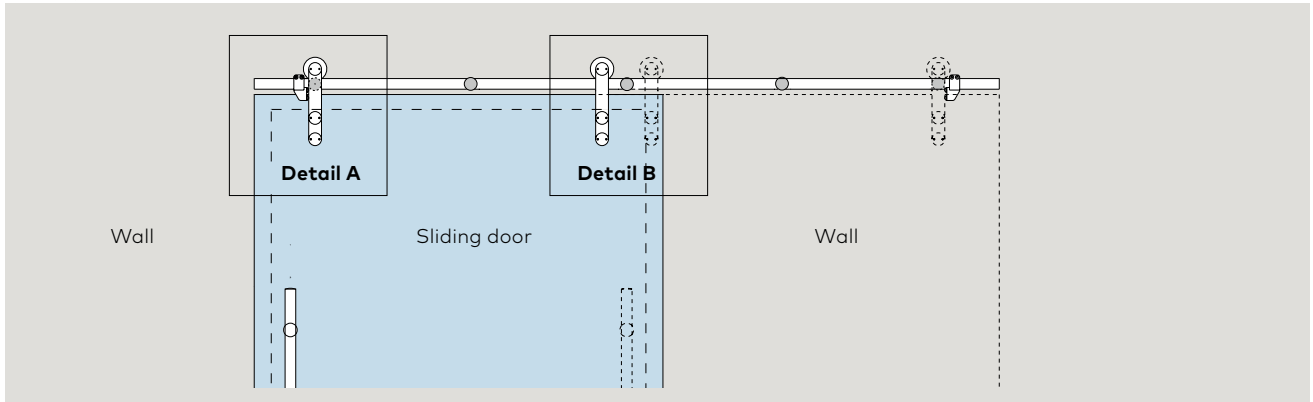


- LM = Daylight opening
- TB = Door width
- DGB = Entry width
- SBmin. = Min. sidelight width
- B = Tubular track length

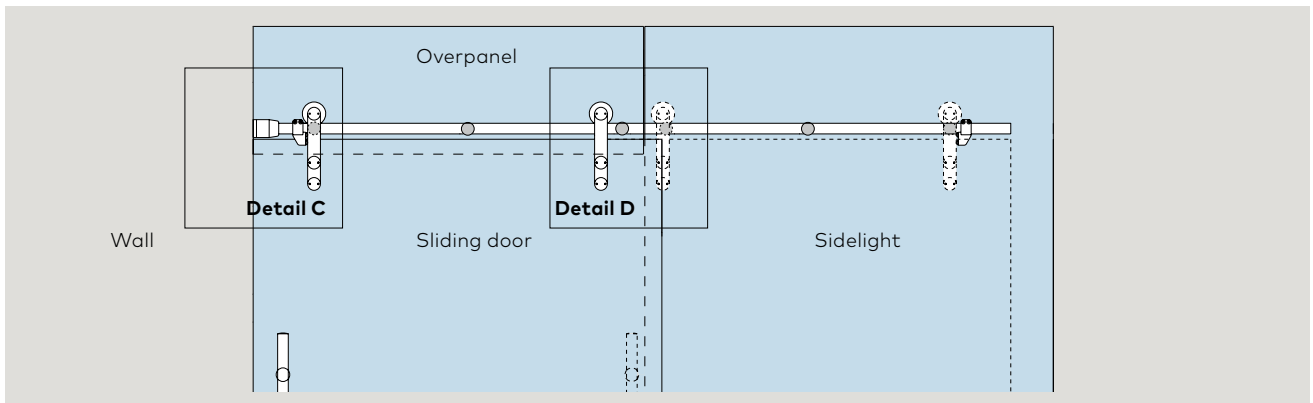
- X = Center distance between single-point fixings overpanel
 $(OB - 193) * 1/2$
- Y = Center distance between single-point fixings sidelight
 $Y = X - 29$
- OB = Overpanel width

Glass preparation for sliding door system

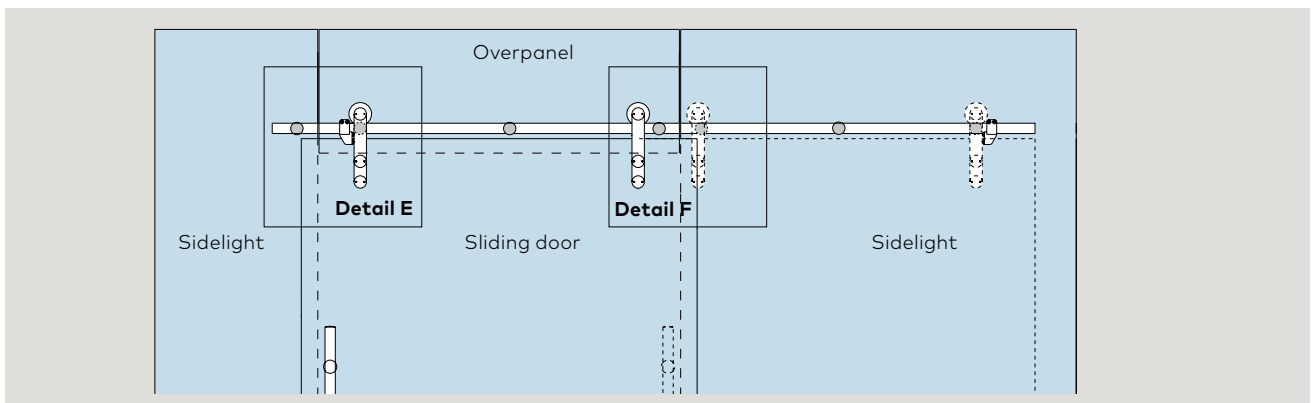
Sliding door to wall

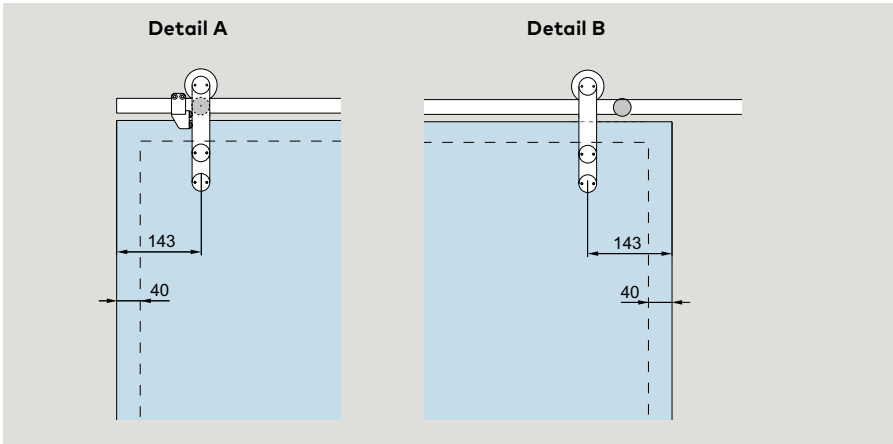


Sliding door with sidelight and overpanel

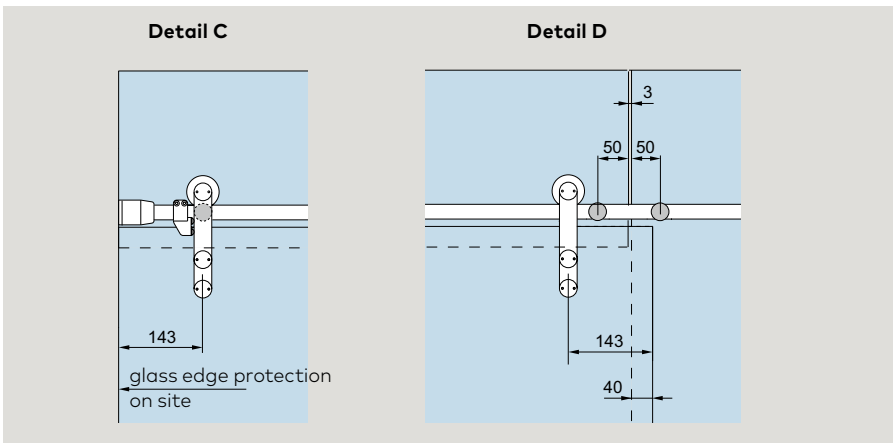
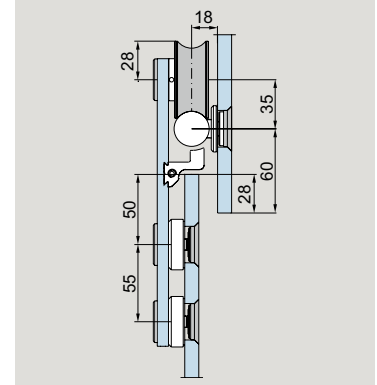


Sliding door with two sidelights and overpanel

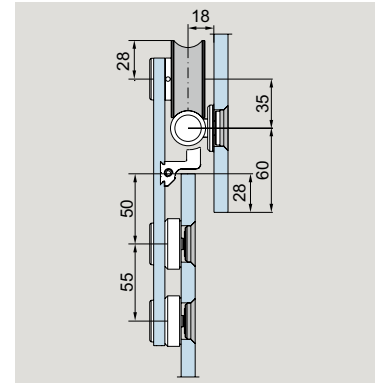




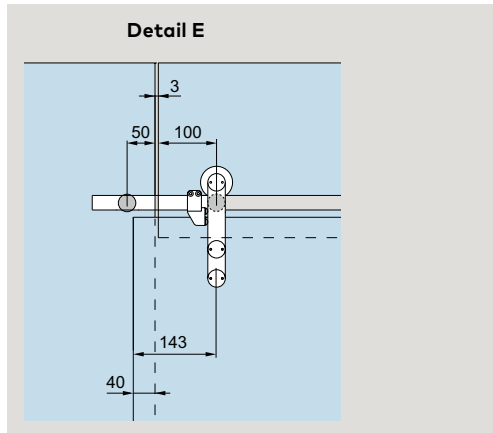
Sliding door with solid track



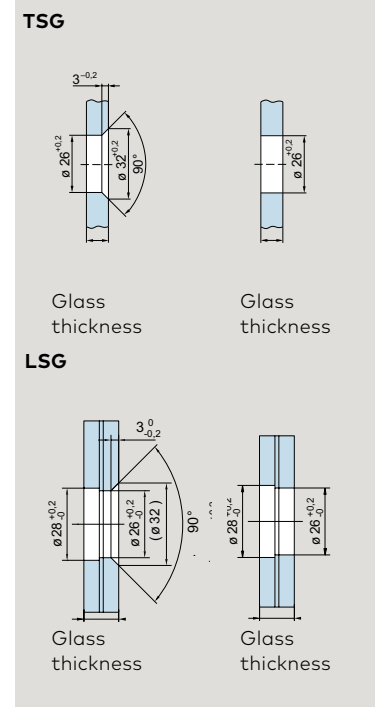
Sliding door with tubular track and clamp fixing



Dimensional data should be regarded exclusively as recommended values. Please remember when designing your system that the positions of the stops and point fixings must not vertically coincide. For spacing/interval recommendations when drilling the track holes, and for requisite dimensions for fixing the track rail, please refer to the table entitled "Recommended distance of the track fixing points".



Countersunk bore for countersunk single-point fixings Cylindrical bore for clamping disc single-point fixings



An appropriately dimensioned and torsionally stiff substructure needs to be provided for installation.